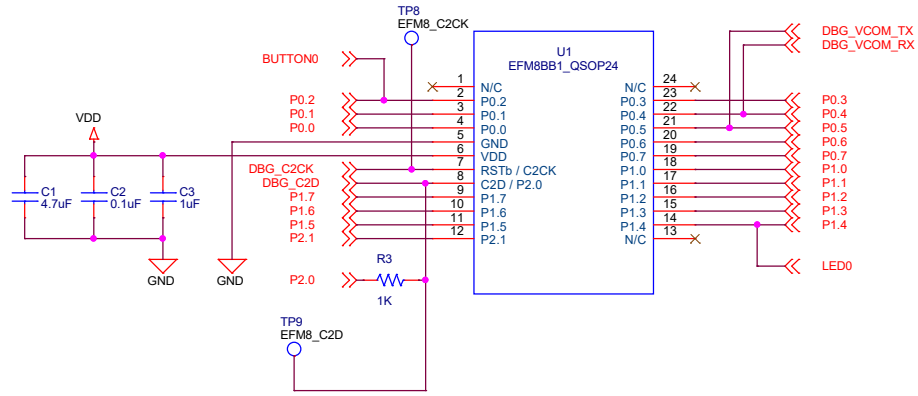
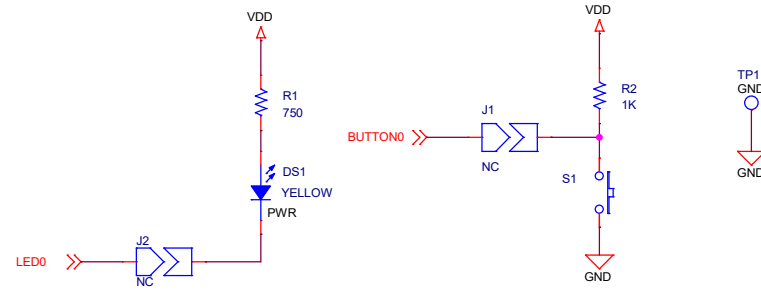


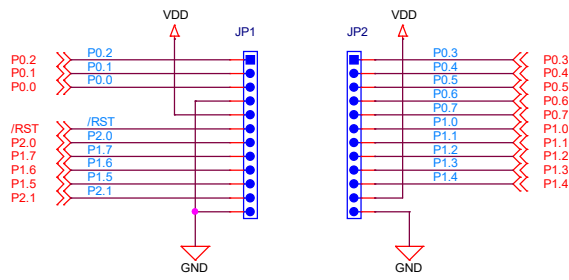
# EFM8BB1 Busy Bee



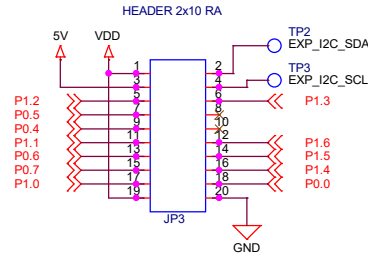
# LED0 and BUTTON0



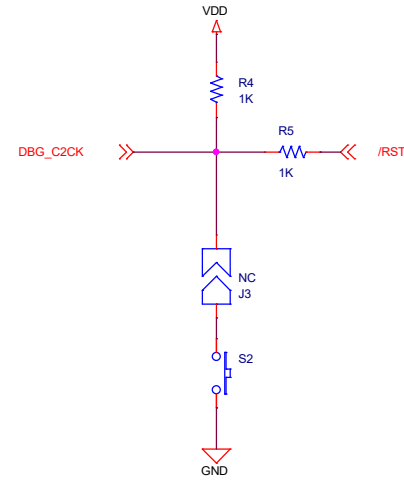
# Breakout Pads




# Expansion Header

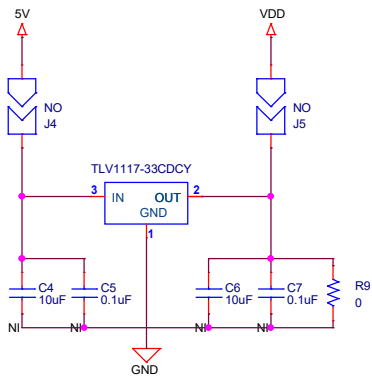


# Reset Button

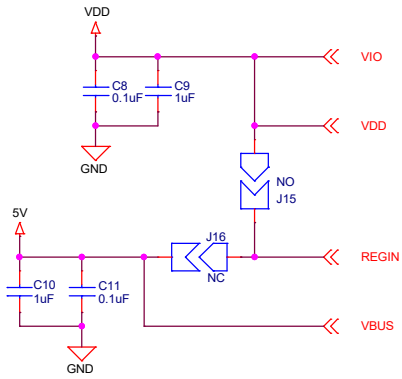


 400 W Cesar Chavez Austin, TX 78701		
SILICON LABS.		
Title		
EFM8BB1LCK		
Size	Document Number	Rev
B	EFM8BB1LCK	1.0
Date:	Tuesday, November 06, 2018	Sheet 1 of 2

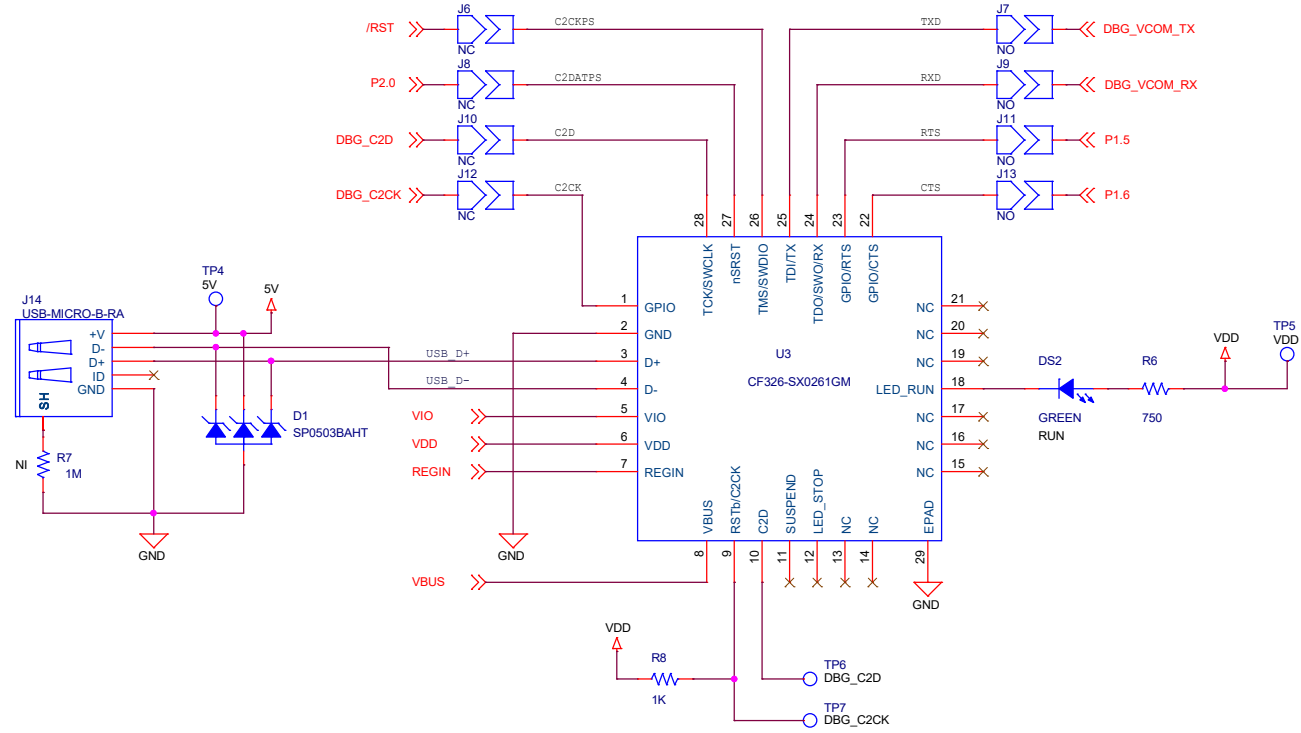
### External Regulator




### Decoupling



### F326 Debugger



 400 W Cesar Chavez Austin, TX 78701		
SILICON LABS.		
Title		
EFM8BB1LCK		
Size	Document Number	Rev
B	EFM8BB1LCK	1.0
Date:	Tuesday, November 06, 2018	Sheet 2 of 2